



# Wafer Type Full Port Ball Valve IIT Construction Size DN 15 - DN 100 PN16



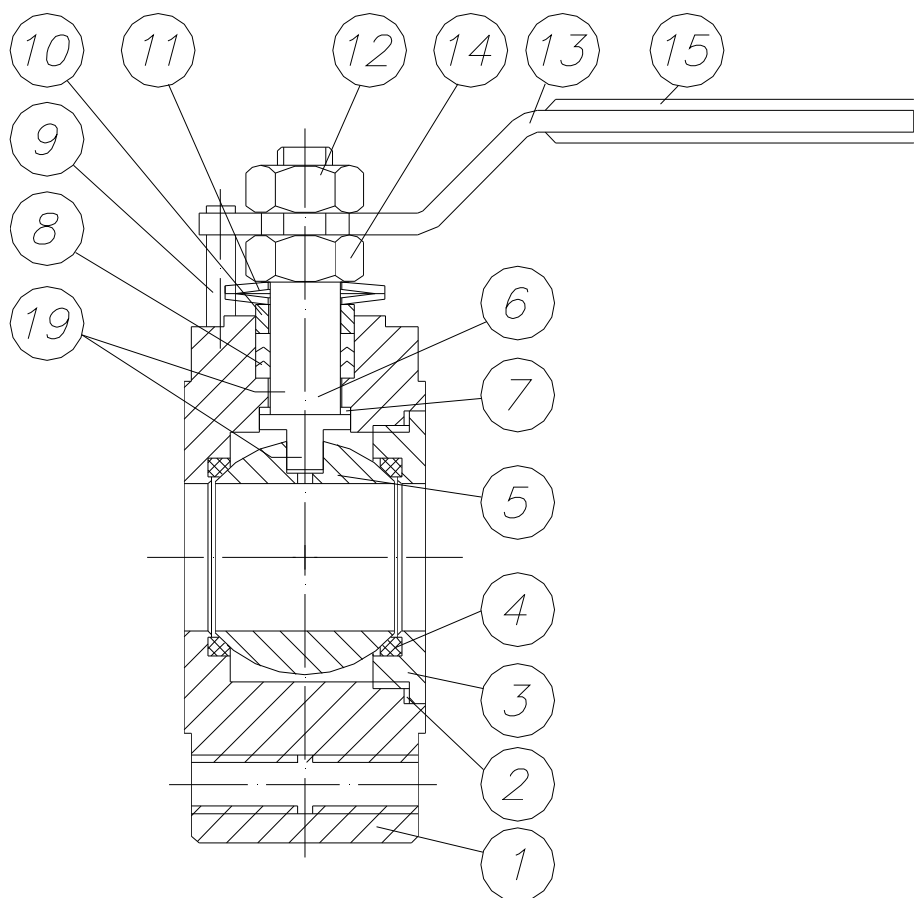
## Fig. 176



# Wafer Type Full Port Ball Valve

## IIT Construction

### Parts and materials



Item	Description	Material
1	Body	1.4408
2	Seal	PTFE
3	Retainer	1.4408
4	Seat	PTFE
5	Ball	1.4408
6	Stem	AISI 316
7	Thrust Washer	PTFE
8	Stem washer	PTFE
9	Stop pin	AISI 304
10	Gland ring	AISI 304
11	Belleville disc	AISI 301
12	Handle nut	AISI 304
13	Handle	AISI 304
14	Stem nut	AISI 304
15	Handle sleeve	Plastic
19	Antistatic device	Stainless Steel

# Wafer Type Full Port Ball Valve

## IIT Construction

### Dimensions

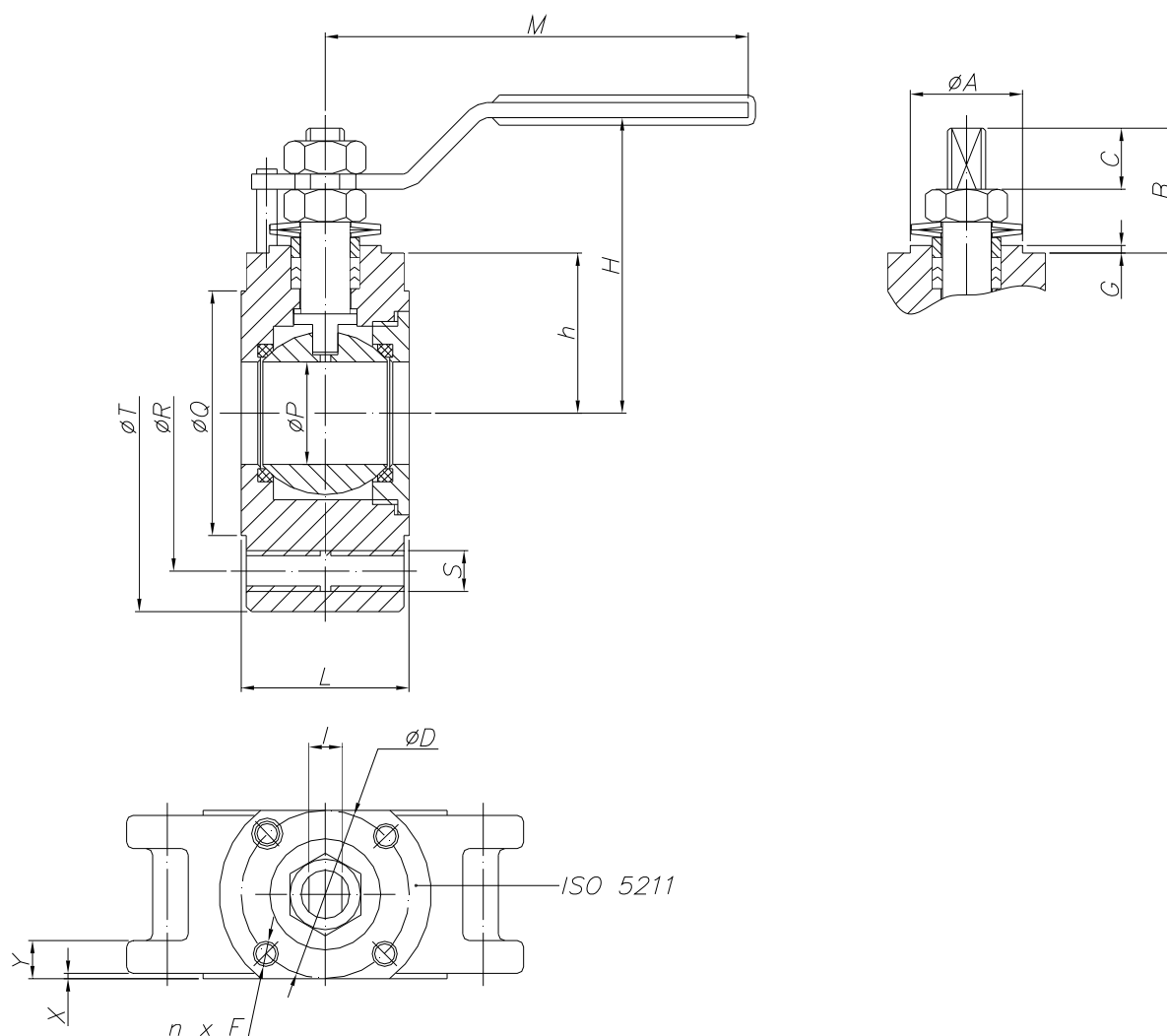


Fig. 176 (PN16)

DN	$\phi P$	L	$\phi Q$	$\phi R$	$\phi S$	$\phi T$	X	Y	h	H	M	Weight
15	16	35	45	65	M12	90	2	14	32	57	116	0,95
20	20	38	58	75	M12	100	2	16	35	64	116	1,5
25	25	44	65	85	M12	110	2	16	40	68	165	1,93
32	32	54	78	100	M16	130	2	16	49	85	165	3,2
40	38	62	88	110	M16	150	3	16	52	89	193	4,8
50	50	80	102	125	M16	150	3	18	62	98	193	5,52
65	64	101	122	145	M16	178	3	18	80	129	235	9,28
80	76	118	138	160	M16	190	3	20	88	138	235	12,6
100	96	150	158	180	M16	220	3	20	105	164	329	19

(\*) Dimensions in mm and weight in kg.

Actuator connection

DN	ISO 5211	$\phi A$	B	C	$\phi D$	n x F	G	I
15	F03	26	18,5	10	36	4 x M5	1	6,5
20	F03	26	21	13	36	4 x M5	1	6,5
25	F03	46	23	13	36	4 x M5	1	6,5
32	F04	33	31	18	42	4 x M5	1,5	8,5
40	F05	35	31	18	50	4 x M6	1,5	8,5
50	F05	37	31	18	50	4 x M6	1,5	8,5
65	F07	50	42	25	70	4 x M8	2	12
80	F07	55	42	25	70	4 x M8	3	12
100	F10	58	47	20	102	4 x M10	3	16

(\*) Dimensions in mm.

**Note:**

Dimensions not subject to International Standards can vary in  $\pm 10\%$ . ICP reserves the right to change those dimensions without notice, due to they do not affect integrity and performance of the valves.



# Wafer Type Full Port Ball Valve IIT Construction

## General Characteristics, Torque, Kv, P&T Rating

GENERAL CHARACTERISTICS	Fig.176 <b>EFF</b>	End Entry Body	Floating Ball	Full Bore
<b>DESIGN STANDARDS</b>				
Valves design	DIN 3357			
Body design	DIN 3840			
Flanges	EN 1092-1			
Face to face dimensions	Manufacture's standar			
Actuator mounting flange	ISO 5211			
Marking	EN 19			
<b>TESTS AND CERTIFICATES</b>	2.2			
Quality Assurance	ISO 9001			
Pressure testing	EN 12266-1			

### Torque Values in Nm

VALVE SIZE	AT DIFFERENTIAL PRESSURE		VALVE SIZE	AT DIFFERENTIAL PRESSURE	
	16 bar			16 bar	
15	4		50	20	
20	7,4		65	23	
25	8		80	33	
32	10,8		100	61,3	
40	15,7				

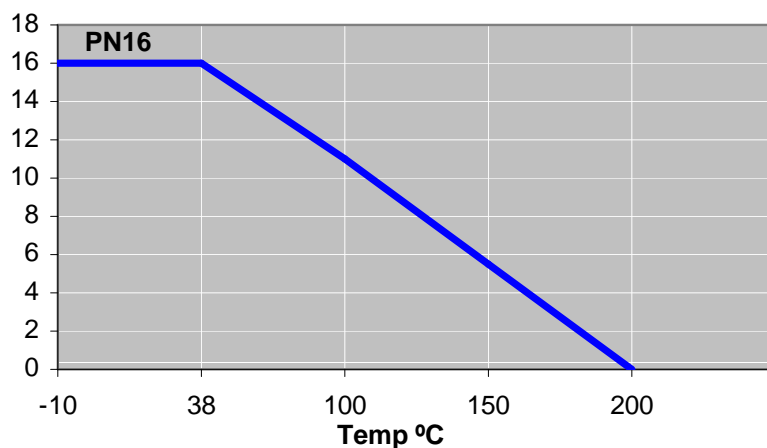
Given torques with clean water at ambient temperature.

### Kv Values in m<sup>3</sup>/h

VALVE SIZE	Kv	VALVE SIZE	Kv
15	10	50	110
20	25	65	310
25	35	80	350
32	46	100	720
40	80		

### Pressure-Temperature

P Bar



— PN 16